



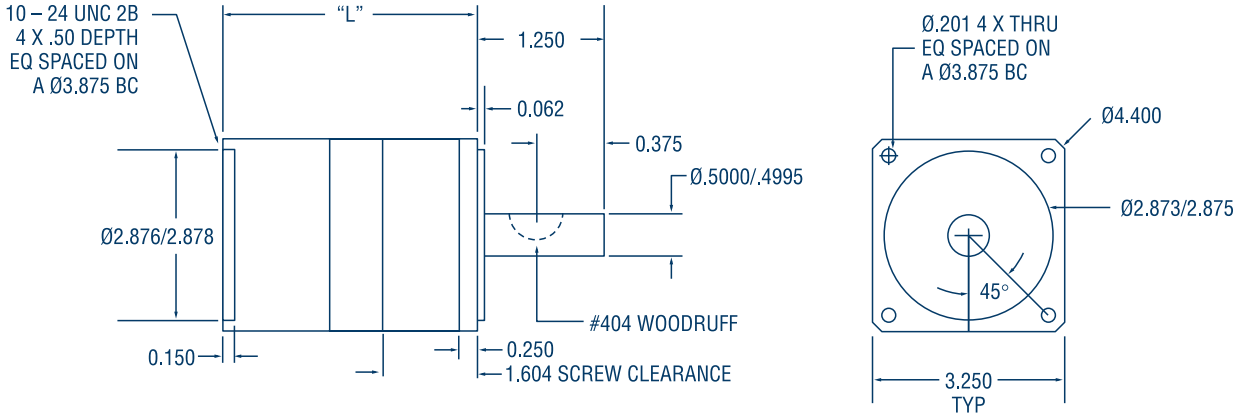
34SP

SPECIFICATIONS

DIMENSION “L”

Single Stage (4:1 to 10:1) = 3.229± .015

Double Stage (16:1 to 100:1) = 4.087 ± .015



SINGLE STAGE

Part #	Ratio	Continuous output torque at 1500 rpm input (in-lbs)	Continuous output torque at 3500 rpm input (in-lbs)	Continuous output torque at 5000 rpm input (in-lbs)	Gearhead inertia at input (lb-in-sec ²)
34SP004	4:1	529	350	279	1.28 x 10 ⁻⁴
34SP007	7:1	467	355	301	7.65 x 10 ⁻⁵
34SP010	10:1	384	313	275	6.69 x 10 ⁻⁵

DOUBLE STAGE

34SP016	16:1	667	566	508	1.27 x 10 ⁻⁴
34SP028	28:1	670	639	595	7.63 x 10 ⁻⁵
34SP049	49:1	528	499	480	7.55 x 10 ⁻⁵
34SP070	70:1	534	514	499	6.64 x 10 ⁻⁵
34SP100	100:1	409	398	391	6.63 x 10 ⁻⁵

GENERAL SPECIFICATIONS

Construction Type	Ratio	Backlash: Standard (arc-minutes)	Backlash: Low Backlash (arc-minutes)	Efficiency	Weight (lbs)	Maximum Tested Input rpm
Single Stage	4:1 to 10:1	12	6	95%	3.67	5000
Double Stage	16:1 to 100:1	16	10	90%	5.10	5000

PEAK TORQUE: 15% above continuous rating.

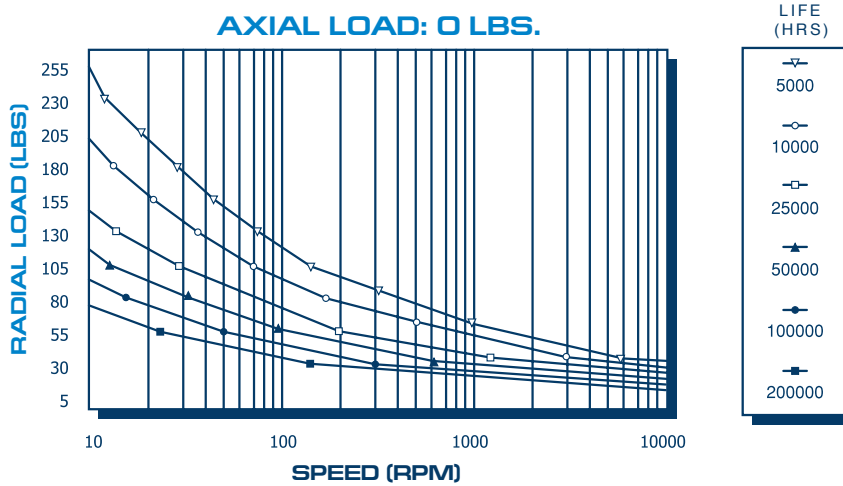
NOTE: Repeated peak torque loading may cause failure.



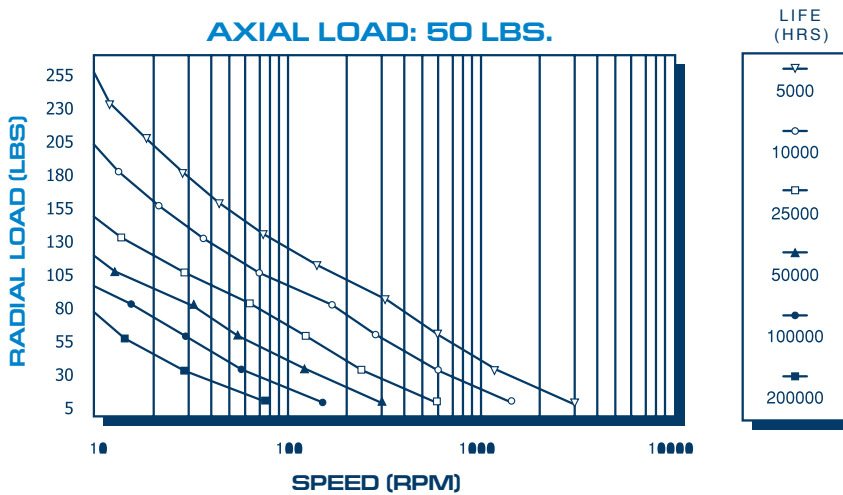
34SP

BEARING LIFE VS SHAFT LOAD

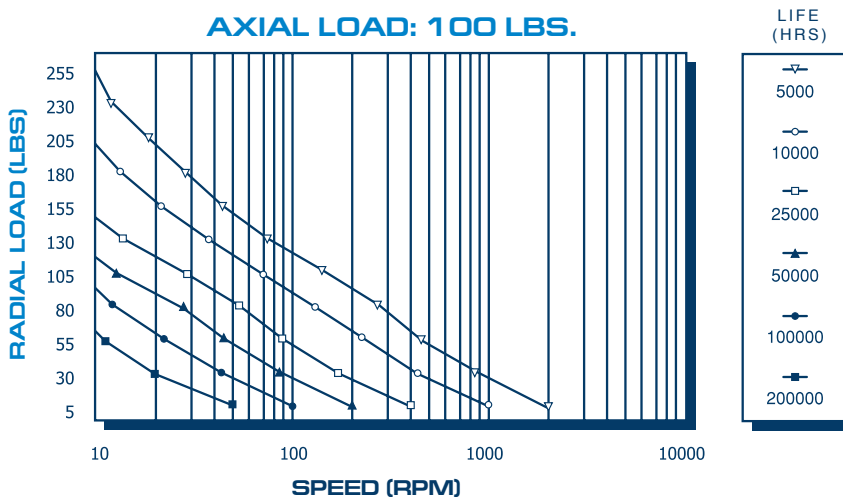
AXIAL LOAD: 0 LBS.



AXIAL LOAD: 50 LBS.



AXIAL LOAD: 100 LBS.



SPEED (RPM)

Refers to the gearheads output shaft speed.

LIFE (HRS)

of lifetime revolutions ÷ (60 x rpm)

F^{RADIAL}

Calculated at 1/2 the shaft length.

